

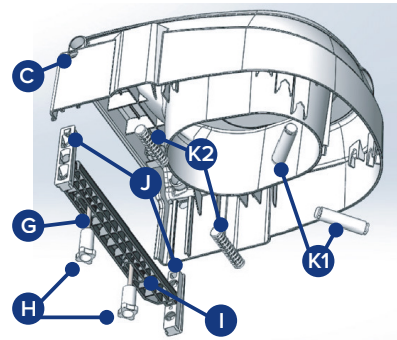
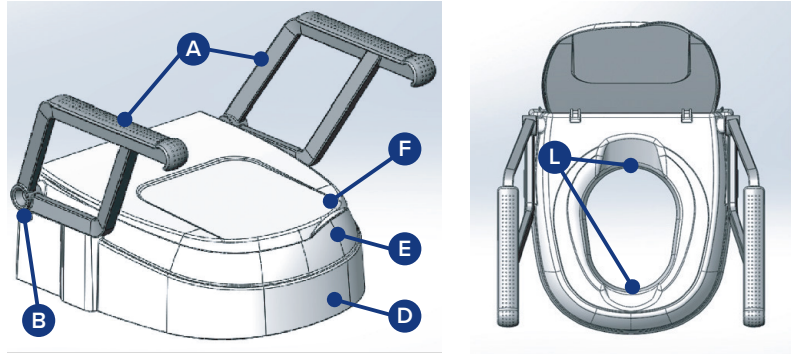


ASPIRE RAISED TOILET SEAT ASSEMBLY GUIDE

PARTS

- A. Armrest (2)
- B. Armrest holder
- C. Locking mechanism for adjustable holder
- D. Body
- E. Recessed grip (in the lid)
- F. Lid
- G. Fixing screw (2)
- H. Knurled nuts (2)
- I. Rear support
- J. Adjustable holders (2)
- K. Supports (4)
- L. Hygiene openings

WEIGHT CAPACITY: 300 LBS /136 KGS

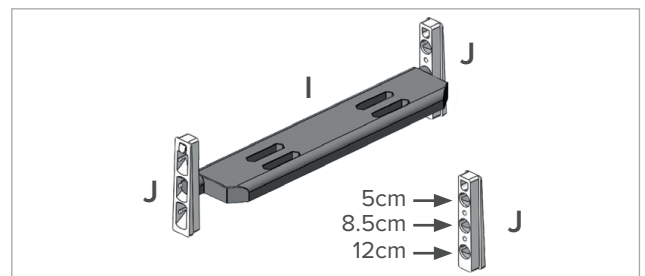


ASSEMBLY

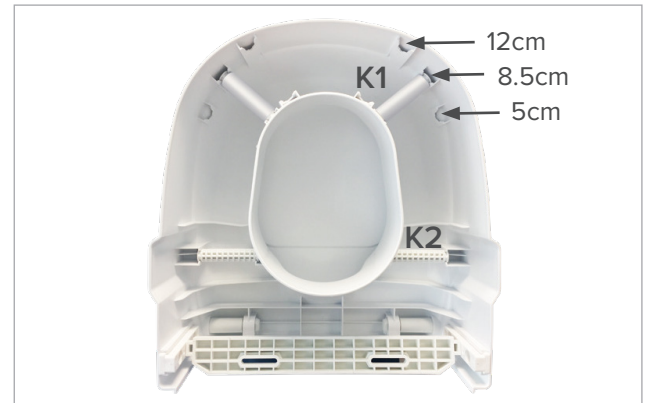
1. Remove existing toilet seat and lid assembly
2. Place rear support (I) on toilet bowl and attach at required length based on your toilet shape using fixing screws (G) and knurled nuts (H).

NOTE: There are letter indicators on the rear support (I) marked “E” for Elongated and “S” for Standard to assist with which hole to thread the fixing screws (G) through for your toilet shape.

3. Insert adjustable holders (J) onto the rear support (I) at the desired seat height.

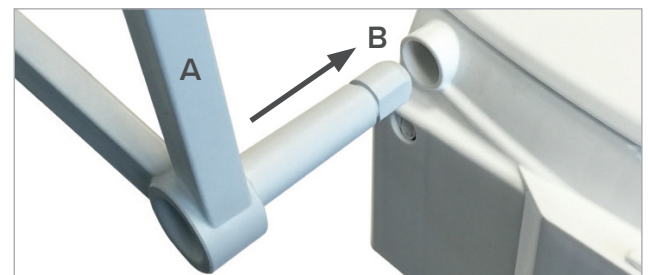


4. To set the height in the front, insert the supports **(K1)** in the corresponding opening until they click into place. **NOTE:** Be sure that the supports **(K1)** are inserted at the same height on the right and left side. The supports **(K1)** can be set lower than the rear support **(I)**.



5. Insert supports **(K2)** in the corresponding openings until they click into place.

6. Push armrests **(A)** into the armrest holders **(B)**. If not using armrests, skip this step.



7. Slide body **(D)** of raised toilet seat onto adjustable holders **(J)** until you hear a click into place.



HEIGHT ADJUSTMENT

The raised toilet seat can be adjusted using the adjustable holders **(J)** for an elevation of 5cm, 8.5cm and 12cm. If you wish to change the seat height, follow these steps:

1. Push the locking tabs on the right and left under the armrests **(A)** and pull the body **(D)** of the raised toilet seat up.
2. Pull out the adjustable holders **(J)** and set the desired height. To do this insert the rear support **(I)** into the corresponding hole in the adjustment holder **(J)**. Be sure that the adjustable holders **(J)** are set at the same height on both the left and right sides.
3. To adjust the height in the front, insert the supports **(K)** into the corresponding openings until you hear them click into place. Be sure that the supports **(K)** are set at the same height on both the left and right sides. **NOTE:** The supports **(K)** can be set lower than the rear support **(I)**.
4. Set the body **(D)** of the raised toilet seat back onto the rear support **(I)**.